

New Improved Model

METAX PMP-20

Fire Extinguisher for Metal Fire

Reliably protects your factory from Metal Fire!



PMP-20

New METAX Agent is:
Designed for
High Temperature!
Environmentally
Friendly!

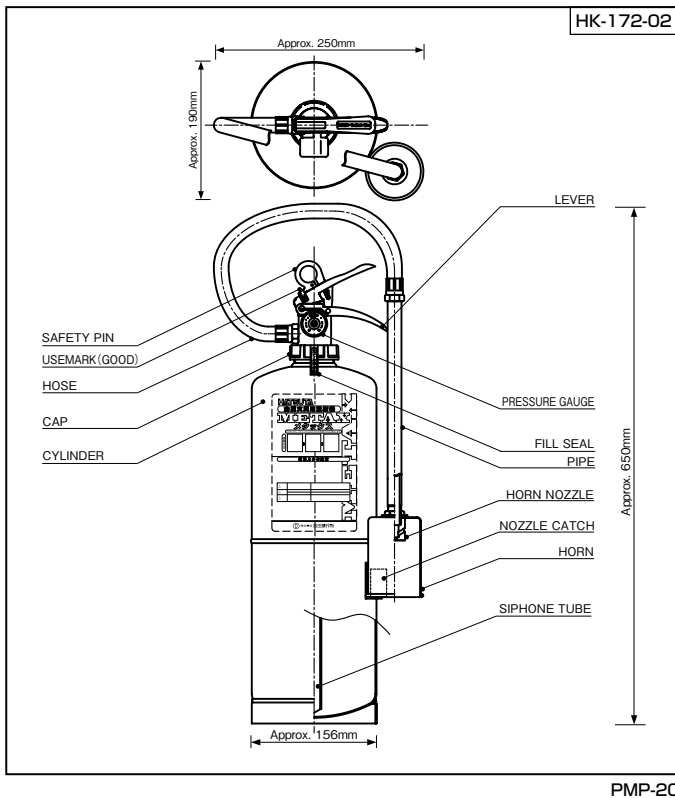
New Nozzle gives
Soft Discharge,
Perfect for Metal Fire



HATSUTA

Water cannot be used to metal fire because metal reacts with water.
ABC dry chemical type fire extinguishers are not effective on metal fire.
New METAX fire extinguishing agent can completely extinguish metal fire by suffocation.

Constructions



METAX Fire Extinguisher for Metal Fire	
Model	PMP-20
Extinguishing Agent Weight	6.0kg
Total Weight	Approx. 10.2kg
Total Height	Approx. 650mm
Total Width	Approx. 250mm
Depth	Approx. 190mm
Diameter	156mm
Objects that can be Extinguished	Magnesium, Titanium, Tungsten, Aluminum and the alloys of those metals.
Extinguishing Area	Approx. 0.75m ² (Magnesium, Tatinum)
Discharging Distance (+20deg. C)	0.2m
Discharging Time (+20deg. C)	Approx. 30 seconds
Operating Temperature Range	-30deg.C to 40deg.C
Filling Pressure	0.70 to 0.98MPa

※METAX PMP-20 has stop function: Discharge can be stopped by releasing the lever.

Features

Designed for High Temperature

Extinguish the agent directly to the burning surface of the metal. It will cover the burning surface to extinguish the fire and won't be damaged by the high temperature.

Environmentally Friendly

METAX agent does not contain PFOS or the substance which is restricted by PRTR law.

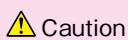
New nozzle gives soft discharge, perfect for metal fire

To extinguish the metal fire, the agent must completely cover the surface of the fire. The nozzle is specially designed to give a soft discharge. Burning metal is not scattered by the discharge as the extinguishing agent softly covers the burning surface.

Required Amount of Agent

Amount required showed inside the right box is a guide based on our company's experiments. The amount is not fixed by fire regulations.

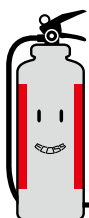
- Magnesium (Chips) Approx. 8kg/m² (At approx. 10mm depth)
- Titanium (Chips) Approx. 8kg/m² (At approx. 10mm depth)
- Tungsten (Powder) Approx. 16kg/m² (At approx. 10mm depth)
- Aluminum (Powder) Approx. 16kg/m² (At approx. 10mm depth)



●Please read the instruction manual and use fire extinguishers correctly.

Overseas Marketing Dept
Hatsuta Seisakusho Co.,Ltd.

Tel:+81-72-856-1292
http://www.hatsuta.co.jp



AGNINDO
ARTHA SENTOSA

PT. AGNINDO ARTHA SENTOSA

Sales & Marketing Office :
Jl. Gunung Sahari Raya No. 51.2
Jakarta 10610, Indonesia

+6221 420 9033
www.agnindo.co.id
info@agnindo.co.id

Authorized distributor of Hatsuta products in Indonesia

Sales : sales@agnindo.co.id

Marketing : marketing@agnindo.co.id

MarCom : marcom@agnindo.co.id



HATSUTA SEISAKUSHO CO.,LTD.



ISO 9001
JQA-QM3671
ISO 14001
JQA-EM2837
(Head Office, Regional Offices, Branches)